

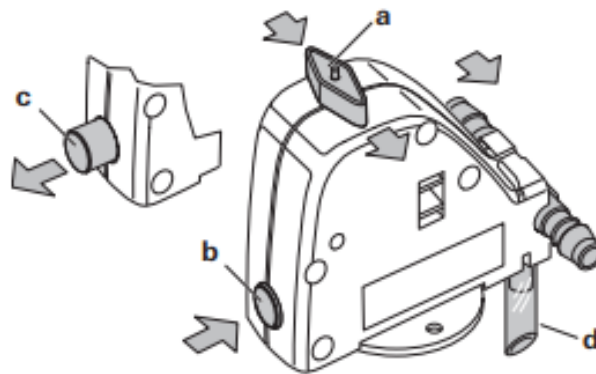
# TRUMA FROST PROTECTION VALVE



During the winter months we get a lot of enquiry around the frost protection valve activating and not re-setting. This is normal and the valve is doing what it's designed to do. The following information is also in the Truma manual you should have received with your new Roller Team motorhome.

## Frost Protection Valve (safety/drain valve)

Frost Protection Valve is a currentless safety/drain valve. When there is a danger of frost, it automatically drains the contents of the boiler through a drainage socket.



**Figure 3**

- a = rotary switch position "On"
- b = push button position "Closed"
- c = push button position "Drain"
- d = drainage socket (led outside through floor of vehicle)

### **Automatic opening of the safety/drain valve**

If the temperature at the safety/drain valve is below about 3 °C, it will open automatically and the push button pops out (position c). The water from the boiler drains through the drainage socket (d).

### **Closing the safety/drain valve**

Check whether the rotary switch is set to “On” (position a), i.e. parallel to the water connection and engaged. Close the safety/drain valve by pressing the push button. The push button must engage in position (b) “closed”.

**Only when the temperature at the safety/drain valve is above approx. 7 °C can it be closed manually with the push button (position b) and the boiler filled.**

When the temperature at Frost Protection Valve is below approx. 7 °C, first switch on the heater to warm the installation compartment and Frost Protection Valve. The safety/drain valve (b) can be closed after several minutes, when the temperature at Frost Protection Valve is above 7 °C

### **Draining the boiler**

The boiler must be drained if the motor home / caravan is not being used during the frosty period.

- Switch off the power to the pump assembly (main switch or pump switch).
- Open hot water taps in kitchen and bathroom.
- Open safety/drain valve (a)

The boiler will now be drained directly to the outside via the safety/drain valve (d)

**No claims may be made under the Truma warranty for damage caused by frost.**

